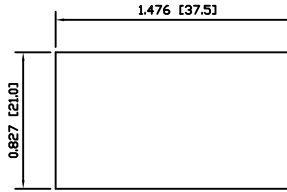
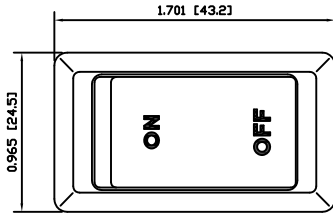


SUGGESTED PANEL CUTOUT



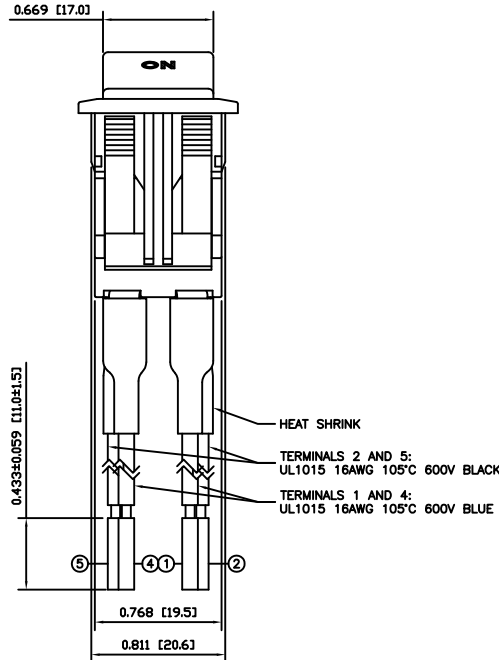
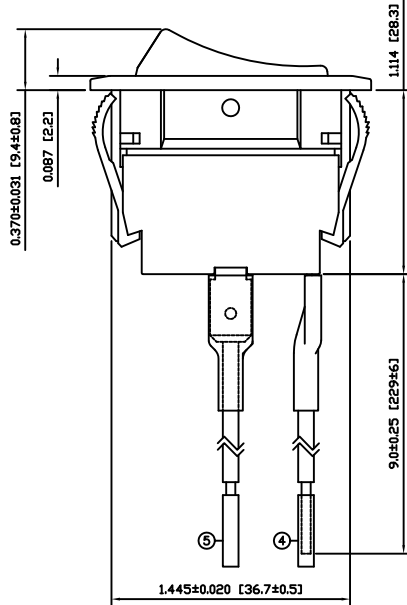
MATERIALS

- BODY: Polyamide 6/6 (PA66), UL94 V-2
- ACTUATOR: Polyamide 6/6 (PA66), UL94 V-2
- SEALING MEMBRANE: Polyvinyl Chloride (PVC)
- SPRING: Piano Wire
- MOBILE CONTACT BAR: Copper
- CONTACT PADS: Silver Clad Copper
- RIVETS: Copper
- TERMINALS: Brass, UL1015 12AWG Welded, Heat Shrink Tubing

SPECIFICATIONS

- FUNCTION: 2P1T OFF-ON
- RATINGS: ANSI/UL 508 and CAN/CSA C22.2 No.14 (E195908): 20A 125VAC [cURus], 15A 277VAC [cURus], 2HP 110/250VAC [cURus]
- CONTACT RESISTANCE: Initial: 10mΩ Max.
- ELECTRICAL LIFE: 6,000 Cycles [cURus]
- TEMPERATURE: Operating: 0°C to 40°C [cURus]
- INGRESS PROTECTION: IP54
- APPROVALS: RoHS COMPLIANT

POSITION 2 POSITION 1



COLORS AND MARKINGS

- BODY COLOR: Black
- ACTUATOR COLOR: Black
- MARKING: ON/OFF Vertical (3)
- MARKING COLOR: White

SCHEMATIC



ACTUATOR	B	10/05/26	CAB
BODY	A	10/11/03	CAB
COLORS	A	08/07/02	CAB
MATERIALS	A	10/05/26	CAB
SPECIFICATIONS	C	10/03/01	CAB
REFERENCE	REV.	DATE	BY

THE INFORMATION CONTAINED IN THIS DOCUMENT IS PROPRIETARY TO E-SWITCH AND IS NOT TO BE COPIED OR TRANSFERRED

A	INITIAL RELEASE	18397	10/11/03	CAB
REV.	DESCRIPTION	PCR	DATE	DRAWN BY

DIMENSIONS	INCHES [MILLIMETERS]
GENERAL TOLERANCES	±0.008 [±0.2] / ±1'
SCALE	DRAWING NOT TO SCALE

RVWW092D1123		
ITEM NUMBER	DATE	REVISION
34-RVWW092D1123	NOVEMBER 3, 2010	A